



Charter Business Networks™



Your Challenge

Fast, reliable Internet access is necessary to remain competitive in today's rapidly changing world. After all, you don't have time to wait on a slow Internet connection. Neither do your employees.

You want an economical Internet solution that is fast, reliable and simple to use. You want a solution that helps you succeed—one that you don't have to worry about. Your wait is over.

Your Solution

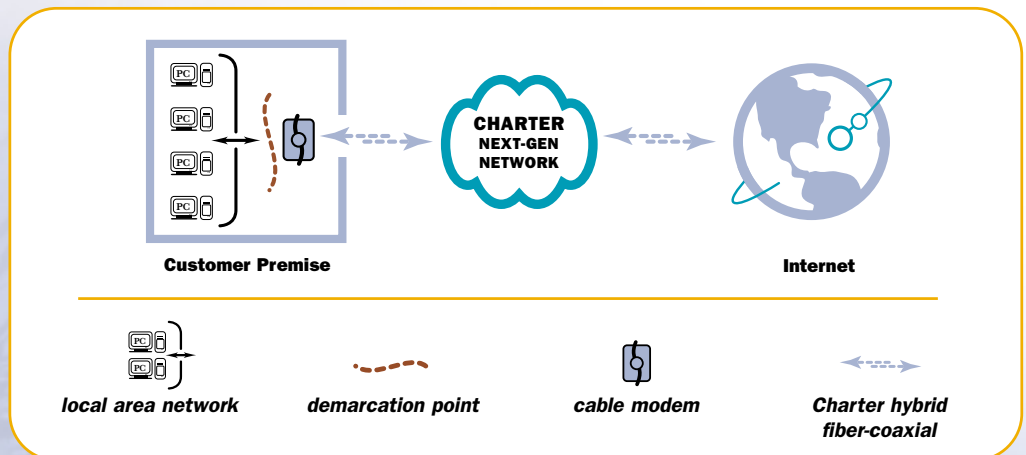
Small Business Internet Service from Charter Business Networks is designed specifically for small, growing businesses. Delivered over Charter's next generation network, Small Business Internet Service provides you with business-class service that is consistent with your expectations.

- **Speed:** By giving you fast access to the Internet, you and your team can focus on what you do best—grow your business.
- **Always On:** Connected around the clock, our service gives you immediate access to the Internet, ending your days of busy signals and waiting patiently for dial-up connections.
- **Scalable:** As your business grows, so does our service, providing you with the bandwidth you need, when you need it.
- **Affordable:** Our service connects you to the Internet at speeds that your budget can afford.

Our Small Business Internet Service is backed by our knowledgeable and friendly customer service team available twenty-four hours a day, seven days a week. With Charter Business Networks, you'll have access to some of the finest technical resources around—people committed to keeping you satisfied and on-line.

So, whether you are downloading files from the Internet, doing research on the web or exchanging email with your customers, Small Business Internet Service from Charter Business Networks provides you with the tools you need to be successful.

Contact us today to learn more about how Charter Business Networks can help make your world more manageable.





Charter Business Networks

Download Speeds/ Upload Speeds

256 Kbps/128 Kbps

768 Kbps/128 Kbps

256 Kbps/256 Kbps

512 Kbps/256 Kbps

1.5 Mbps/384 Kbps

1.5 Mbps/512 Kbps

Customer Application Guidelines

Basic Service

- A small number of computers connected to the Internet
- Email provided by Charter Business Networks (i.e. john.doe@charterinternet.net)
- No need for website presence with company domain name address

Advanced Service

- Personalized domain name on email (i.e. john.doe@yourcompanyname.com)
- Need help to host your website
- Typically don't manage email or DNS server on premise

Premier Service

- Desire to host your own email and/or website in-house
- Interested in potential of using e-business applications
- Utilize in-house IT staff for ongoing maintenance

Service Plans

	Basic	Advanced	Premier
Application	<i>Surfing, email, or light commercial</i>	<i>Need for web presence</i>	<i>Need for domain name + static IP</i>
Single Site	Yes	Yes	Yes
Commercial Address	Yes	Yes	Yes
Number of PC's	1 - 3	1 or more	1 or more
IP Type	Dynamic	Dynamic	1 Static (+ 4 option)
Hosting	None available	10 Mb* free	10 Mb* free
Domain Name Serving	No	Charter Host	Yes
Emails	3 emails* served on charterinternet.net	8 emails* served on custom or charterinternet.net	15 emails* served on custom or charterinternet.net

*Additional hosting space and email accounts are available.

